

SoliTek

SOLID

INSTALLATION MANUAL

Valid for:

SOLID Bifacial B.60, BLACKSTAR (SOLID Framed) B.60(40),
SOLID AGRO B.40, BLACKSTAR B.108

Table of contents

1	General requirements	4
2	Handling	5
3	Application	6
3.1	Restrictions.....	6
3.2	Recommendations	6
4	Electrical installation	7
4.1	Safety.....	7
4.2	Configuration.....	9
4.3	Overcurrent protection device (OCPD)	11
4.4	Cable & wiring	11
4.5	Grounding	13
4.5.1	Blackstar (SOLID Framed) series modules grounding	13
4.5.2	SOLID Bifacial and AGRO series grounding	15
4.6	Connectors.....	15
4.7	Bypass diodes.....	15
5	Fire class rating	16
6	Mechanical mounting.....	16
6.1	General requirements	16
6.2	Mounting with clamps	17

6.3	SOLID Bifacial B.60 and SOLID AGRO B.40 mounting	19
6.3.1	Transversal rails	19
6.4	BLACKSTAR B.108 and BLACKSTAR (SOLID Framed) B.60(40) mounting	21
6.4.1	BLACKSTAR B.108 mounting with clamps.....	21
6.4.2	BLACKSTAR (SOLID Framed) B.60(40) mounting with clamps.....	24
6.4.3	Mounting with bolts	27
6.5	Position of the junction box	30
7	Maintenance.....	31
8	Specifications.....	32
9	Disclaimer of liability.....	33

1 General requirements

Thank you for choosing SoliTek panels!

Please read this guide entirely before the installation.

The purpose of this document is to provide minimum requirements and recommendations for safe and successful installation of SoliTek PV modules.

This document also contains requirements necessary to retain SoliTek PV module compliance with IEC 61215, IEC 61730, UL 61730 standards.

This guide contains basic information regarding JSC “SoliTek Cells” SOLID series photovoltaic modules, their installation and safe handling. All instructions should be read and understood before attempting installation. If there are any questions, please contact your dealer or JSC “SoliTek Cells” for further information.

This documentation refers to the PV-modules themselves and is not meant to be a complete installation manual for personnel not specifically trained to PV-modules. It serves as a general but strictly mandatory to the Installer reference. Infringement or inaccurate observance of any clause of this documentation voids the warranty.

The installer must understand and follow all applicable local, state, and federal regulations and standards for building construction, electrical design, fire, and safety, and must check with local authorities to determine applicable permitting requirements before attempting to install or maintain PV modules and should become familiar with the mechanical and electrical requirements for photovoltaic systems.

Failure of follow instructions in this guide may damage system components, endanger personnel, damage property, or invalidate the panel warranty.

Rooftop PV systems should only be installed on dwellings that have been formally analyzed for structural integrity and confirmed to be capable of handling the additional weighted load of PV system components, including PV modules, by a certified building specialist or engineer.

For your safety, do not attempt to work on a rooftop until safety precautions have been identified and taken, including without limitation fall protection measures, ladders or stairways, and personal protective equipment (PPE).

For your safety, do not install or handle PV modules under adverse conditions, including without limitation strong or gusty winds, and wet or frosted roof surfaces.

The flat-plate PV module construction consists of a laminated assembly of solar cells encapsulated within an insulating material within two glass sheets.

Keep this documentation in a safe place for future reference.

Do not attempt to disassemble the module, and do not remove any attached nameplates or components! Doing so will void the warranty.

2 Handling

SoliTek PV modules must be transported in the supplied packaging only and kept in the packaging until they are ready to be installed. Protect pallets against movement and exposure to damage during transportation. Secure pallets from falling over. Do not exceed the maximum height of pallets to be stacked, as indicated on the pallet packaging. Store pallets in a cool and dry location until the PV modules are ready to be unpackaged.

SoliTek PV modules are heavy and should be handled with care. Never use the junction box or cables as a grip. Do not exert mechanical stress on the cables. Never step on PV

modules or drop or place heavy objects on them. Be careful when placing PV modules on hard surfaces and secure them from falling. Broken glass can result in personal injury. PV modules with broken glass cannot be repaired and must not be used. Broken or damaged PV modules must be handled carefully and disposed of properly.

3 Application

3.1 Restrictions

SoliteK PV modules must be mounted on appropriate mounting structures positioned on suitable buildings, the ground, or other structures suitable for PV modules (e.g. carports, building facades or PV trackers). PV modules must not be mounted on moving vehicles of any kind. Modules must not be installed in locations where they could be submerged in water. Do not install modules above 2000 m (6561 ft) altitude above sea level

Artificially concentrated light must not be directed on SoliteK PV modules.

3.2 Recommendations

SoliteK recommends that PV modules be mounted at a minimum tilt angle of 10 degrees to allow for proper self-cleaning from rain.

Partial or complete shading of a PV module or modules can significantly reduce system performance. SoliteK recommends minimizing the amount of shade throughout the year to increase the amount of energy produced by the PV modules.

High system voltages could be induced in the event of an indirect lightning strike, which could cause damage to PV system components. The open area of wire loops should be minimized; in order to reduce the risk of lightning induced voltage surges.

Better module ventilation and shorter connection cables increase electrical energy production.

For bifacial modules:

It is recommended to increase PV panel height from the ground so that more light can travel beneath the module and then reflect

The bifacial gain increases significantly if modules are installed above white (high albedo value), light reflecting surfaces.

4 Electrical installation

4.1 Safety

PV modules can produce current and voltage when exposed to light of any intensity. Electrical current increases with higher light intensity. DC voltage of 50 Volts or higher is potentially lethal. Contacting the live circuitry of a PV system operating under light can result in lethal electric shock.

De-energize PV modules by removing them entirely from light or by covering their front surface with an opaque material. Regard the safety regulations for live electrical equipment when working with modules that are exposed to any light. Use insulated tools and do not wear metallic jewelry while working with PV modules.

In order to avoid arcing and electrical shock, do not disconnect electrical connections under load. Faulty connections can also result in arcing and electrical shock. Keep connectors dry and clean and ensure that they are in proper working condition. Never insert metallic objects into the connectors or modify them in any way in order to secure an electrical connection.

Do not touch or handle PV modules with broken glass unless the PV modules are first disconnected, and you are wearing proper PPE. Avoid handling PV modules when they are wet unless cleaning the PV modules as directed in this manual. Never touch electrical connections that are wet without protecting yourself with insulated gloves.

The modules are qualified for Class of protection against electrical shock Class II, in accordance with clause 4 of IEC 61730-1:2016, which can be used in systems operating at > 50 V DC or >240 W, where general contact access is anticipated and modules qualified for safety through UL 61730 within this application class are considered to meet the requirements of Safety Class II.

Installing solar photovoltaic systems requires specialized skills and knowledge. It should be performed only by qualified and specially instructed personnel. The installer assumes all risk of injury, including risk of electric shock.

Use only equipment, connectors, wiring and mounting hardware specifically designed for use in a photovoltaic system.

Before any manipulation at an installed PV plant, switch it off first on AC-side after on DC-side of the inverter or the charge controller.

When disconnecting wires connected to a photovoltaic module that is exposed to light, an electric arc may occur. Arcs can cause burns, start fires, or otherwise create safety (up to lethal electric shock) problems.

Check for remaining voltage before starting and observe the local safety relevant regulations for such working conditions.

Under normal conditions, a photovoltaic module can produce more current and/or voltage (here: 30V DC) than reported at standard test conditions.

Contact with a DC voltage of 30 V or more is potentially hazardous. Exercise caution when wiring or handling modules exposed to sunlight.

Only connect modules with the same rated output current in series. If modules are connected in series, the total voltage is equal to the sum of the individual module voltages.

Only connect modules or series combinations of modules with the same voltage in parallel. If modules are connected in parallel, the total current is equal to the sum of individual module or series combination currents.

Always use the same type of module within a particular photovoltaic system.

If the sum of short circuit currents of the parallel connected modules passes over the reverse current string diodes or fuses have to be used in each string of modules connected in parallel. These string diodes or fuses have to be qualified for the maximum expected current and voltage. The fuse rating value is also corresponding to the maximum reverse current that a module can withstand. The reverse current value can be found on the product label, in the product datasheet or chapter 8 of installation manual. Observe the instructions and safety precautions for all other components used in the system, including wiring and cables, connectors, DC-breakers, inverters, etc.

Use appropriate safety equipment (insulated tools, dielectric gloves, shoes and etc.) approved for use on electrical installations.

4.2 Configuration

Under normal conditions, a photovoltaic module is likely to experience conditions that produce more current and/or voltage than reported at Standard Test Conditions (STC: 1000 W/m², AM 1.5, and 25°C/77°F cell temperature) or Bifacial Standard Test Conditions (BSTC for BLACKSTAR: 1075 W/m², AM1.5, and 25°C/77°F cell temperature;

BSTC for SOLID Bifacial: 1097 W/m², AM1.5, and 25°C/77°F cell temperature). The short-circuit current (I_{sc}) should be multiplied by a factor of 1.25 and the open-circuit voltage (V_{oc}) should be multiplied by a factor of up to 1.25 based on the lowest and highest ambient temperature recorded for the installation location when determining component voltage ratings, conductor current ratings, fuse sizes, and size of controls connected to the PV output.

Voltages are additive when PV modules are connected directly in series, and module currents are additive when PV modules are connected directly in parallel. PV modules with different electrical characteristics must not be connected directly in series. The use of suitable third-party electronic devices connected to PV modules may enable different electrical connections and must be installed according to the manufacturer's specified instructions.

The maximum voltage of serial interconnection of the modules must be less than the maximum certified module's system voltage. Also, the maximum input voltage of the inverter and of the other electrical devices in the system must be taken into account. The open circuit voltage of the array string needs to be calculated at the lowest expected ambient temperature for the location. The maximal system voltage for module is indicated in the modules datasheet.

Accordingly, for Bifacial or Blackstar (SOLID Framed) series modules, the values of ISC and VOC under STC or BSTC marked on this module should be multiplied by a factor of 1,25 when determining component voltage ratings, conductor current ratings, fuse sizes, and size of controls connected to the PV output. In the USA, refer to Section 690-8 of the National Electrical Code (NEC) for an additional multiplying factor of 125 percent (80 percent de-rating) which may be applicable.

4.3 Overcurrent protection device (OCPD)

When the potential reverse current of a PV string exceeds the rated SoliTek PV module series fuse rating (values indicated at the module datasheet) an overcurrent protection device (OCPD) must be used. An overcurrent protection device is required for each series string if more than two series are connected in parallel. In this case, it is needed to use one fuse per string rated at $1.25 \times I_{sc}$ or higher (I_{sc} is the PV module's short circuit current at STC). A PV fuse on each PV string will protect the PV modules and conductors from overcurrent faults and help minimize any safety hazards. The PV fuse will also isolate the faulted PV string so the balance of the PV system can continue to generate electricity.

- Fuse amp rating $\geq 1.25 \times I_{sc}$

Select next higher standard rating at the catalogue of available PV Fuses.

I_{sc} = Short-circuit current of one module at Standard Test Conditions (STC).

Considering the values of I_{sc} of SoliTek modules, the right value of the PV Fuses to be used at the installation is **20 A**. SoliTek recommends using PV fuses in both the positive and negative conductors.

4.4 Cable & wiring

SoliTek PV modules are provided with two standard, sunlight resistant output cables that are terminated with PV connectors ready for most installations. The positive (+) terminal has a male connector while the negative (-) terminal has a female connector. The module wiring is intended for series connections (i.e., male (+) to female (-) interconnections) but can also be used to connect suitable third-party electrical devices that may have alternative wiring configurations so long as the manufacturer's instructions are followed.

Use field wiring with suitable cross-sectional areas that are approved for use at the maximum short-circuit current of the PV module. All wiring must be double insulated, cross-linked cables with a minimum rating of 1,8 kV (over 1500 V voltage) and minimum rated temperature of 90 °C (190 °F). Wire size not less than 4 mm² (12 AWG). The insulation type should be appropriate for the type of installation method used and must meet IEC 61730 and Safety Class II requirements.

- Insulation level: 1,8 kV (conductor-conductor).
- Temperature: -40°C up to +90°C (-40 °F up to 190 °F) at least.
- Construction of conductor: tinned stranded copper wire with copper purity greater than 99,9%.
- Primary insulation: cross-linked polyethylene (XLPE), sunlight and moisture resistant, flame retardant. Suitable for conduit and raceways installed underground.
- Insulation (jacket): thermoplastic, sunlight resistant, flame retardant, water resistant.
- Minimum cable outer diameter with insulation – 5,2 mm (2,05 inch).
- Minimum conductor cross-section – 4 mm² (12 AWG).

SoliTek recommends installers use only sunlight resistant cables qualified for direct current (DC) wiring in PV systems. Cables should be fixed to the mounting structure in such a way that mechanical damage of the cable and/or the module is avoided. Do not apply stress to the cables. For fixing, use appropriate means, such as sunlight resistant cable ties and/or wire management clips. While the cables are sunlight resistant and waterproof, where possible, avoid direct sunlight exposure and water immersion of the cables.

Standard length of cables from the junction boxes is 1,2 m (47,24 inch). It is intended that two panels would interconnect in the system.

4.5 Grounding

Functional grounding is not foreseen for SOLID modules. If it is performed, local electric codes and regulations must be observed and used grounding means have to be isolated from live parts by reinforced insulation. Safety grounding must be performed accordingly.

4.5.1 Blackstar (SOLID Framed) series modules grounding

For Blackstar (SOLID Framed) series modules the anodized corrosion resistant aluminum alloy frame is used for rigidity support. For safety utilization and to protect modules from lightning and static-electricity damage, the module frame has to be grounded.

Holes marked with a grounding mark on the frame can only be used for grounding. Do not drill additional grounding holes on module frame.

The grounding conductor or strap may be copper, copper alloy, or any other material acceptable for use as an electrical conductor in accordance with local electric codes and regulations. The grounding conductor must then make a connection to earth using a suitable earth ground electrode.

A bolted connection is required, it incorporates:

- A bolt size of M4.
- A tooth washer under the bolt head or a serrated bolt must penetrate nonconductive coatings like anodized frame.
- A fasten nut suitable for M4 bolt.
- All hardware shall be of nonferrous metal, 300-series stainless steel, or suitably corrosion protected.
- The recommended torque of locking the nut is $2 \text{ Nm} \div 2.2 \text{ Nm}$ (1,48 ÷ 1,62 ft-lb).

- Grounding bolt has to go through all the connecting elements.

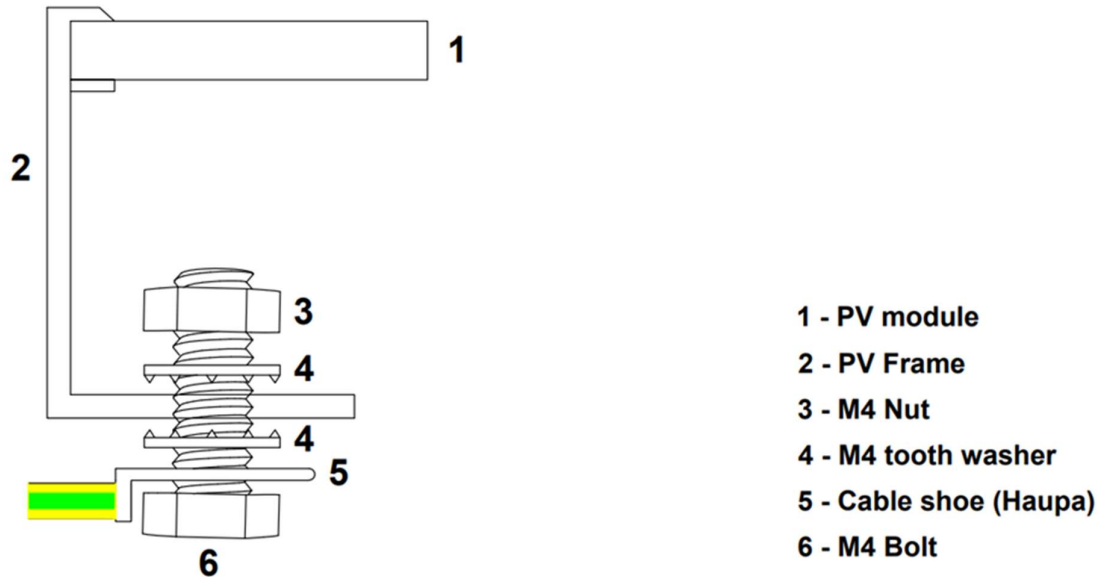


Figure 1. Grounding Method

Devices listed and identified for grounding metallic frames of PV modules are permitted to ground the exposed metallic frames of the module to grounded mounting structures.

In any case the grounding screws or other parts have to be used separately from mounting parts of the module.

Alternate grounding options built through mounting system are acceptable as long as they have been IEC and UL approved.

Grounding resistance of grounding structure shall be reached according to local regulations, Eurocodes, or other legal normative references.

4.5.2 SOLID Bifacial and AGRO series grounding

Due to that SoliTek SOLID Bifacial and AGRO modules are frameless, no module grounding is required. Other PV plant equipment should be grounded according to the local and national electrical codes.

4.6 Connectors

Connectors for SoliTek PV panels are MC4 compatible. Keep MC4 compatible connectors dry and clean and ensure that connector caps are hand tight before connecting the modules. Do not attempt making an electrical connection with wet, soiled, or otherwise faulty connectors. Avoid sunlight exposure and water immersion of the connectors. Avoid connectors resting on the ground or roof surface. Do not disconnect under load. Faulty connections can result in arcs and electrical shock. Check that all electrical connections are securely fastened. Make sure that all locking connectors are fully engaged and locked.

4.7 Bypass diodes

The PV module's junction box contains 3 bypass diodes (one in each part of split junction box; Schottky type) connected in parallel with the PV cell strings. In the case of partial shading (hot-spot effect), the diodes bypass the current generated by the non-shaded cells, thereby limiting module heating and performance losses.

Bypass diodes are not overcurrent protection devices. Bypass diodes divert current from the cell strings in the event of partial shading. The characteristics of these diodes:

- Voltage rating – 50 V.
- Current rating – 20 A.

5 Fire class rating

SoliTek SOLID Bifacial and Blackstar modules have been approved by the IEC fire test and achieved Flammability Class A. Fire test was performed at the inclination of 127 mm (5 inch) per 300 mm (11,81 inch), as prescribed in the point A.2.5 of IEC 61730-2.

SoliTek SOLID Bifacial has fire type of 28 rating according to UL1703-2 standard. SoliTek Blackstar has fire type of 29 rating according to UL1703-2 standard.

6 Mechanical mounting

All mechanical pressure values indicated in this manual are design figures, this means that test values are 1,5 times greater, for instance if the modules are declared to withstand 1600 Pa pressure, it means they were tested at 2400 Pa pressure.

6.1 General requirements

Modules can be mounted in landscape or portrait orientation. For the bifacial modules, in order to get notable bifacial gain, the distance between the bottom of modules and the roof or ground surface shall be at least 0,8 m (31,50 inch). Also, the bifacial gain increases significantly if modules are installed above white, light reflecting surfaces (under surfaces with high albedo value). If the mounting rails are installed across the module, bifaciality effect will be lower due to back-side cells shading.

Please observe the safety regulations and installation instructions included with the mounting system. If necessary, please contact the supplier directly for further information.

The modules must be safely set onto the mounting rail. The whole rail supporting the photovoltaic system must be strong enough to resist potential mechanical pressures

caused either by wind or snow, in accordance with local, regional and state safety (and other associated) standards. Mounting system shall be tested and inspected by the third-party testing institution with static mechanical analysis capacity in accordance with local national standards or international standards. Before installing modules on a roof, ensure that the roof construction is suitable. In addition, any roof penetration required to mount the modules must be properly sealed to prevent leaks.

Make sure that the mounting rail will not deform or affect the modules when it expands as a result of thermal expansion. The module can appear thermal expansion and cold contraction, thus, the interval between two adjoining modules shall be no lesser than 10 mm (0,39 inch). Do not attempt to drill holes in the glass surface and the frames of the modules as this will void the warranty. The mounting method must not result in the direct contact of dissimilar metals with the aluminum frame of the modules that will result in galvanic corrosion.

The mounting components must be made of durable, anti-corrosive and UV-resistant materials (stainless steel and anodized aluminum components are recommended).

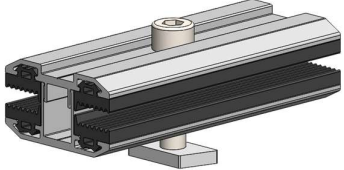
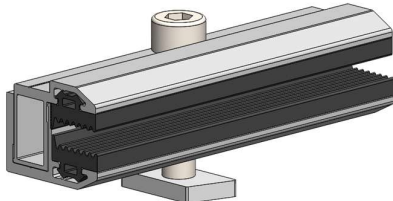
6.2 Mounting with clamps

Use at minimum 4 laminate clamps to fix modules on the mounting rails. Modules clamps metal parts should not come into contact with the front or back glass. When choosing this type of clamp-mounting method, use at least four clamps on each module; two clamps should be attached on each long side. Depending on local wind and snow loads, additional clamps may be required to ensure that modules can bear the load.

Clamps tightening torque should be at least 15 Nm (11,06 ft-lb), but not greater than 20 Nm (14,75 ft-lb). Usually, 15 Nm (11,06 ft-lb), is reached when two aluminum profiles

touch each other. When a module is installed in portrait orientation on the pitched roof which has $>45^\circ$ slope, additional hook in the bottom of the module is required.

Table 1. Laminated, CLICK 6.8 type, clamp details

Product	Visualization	Length options:	Material / surface
Laminate middle clamp CLICK 6.8		1. 100 mm (3,94 inch) 2. 150 mm (5,91 inch)	ENAW 6063/T66; EPDM; mill finish / black
Laminate end clamp CLICK 6.8		1. 100 mm (3,94 inch) 2. 150 mm (5,91 inch)	ENAW 6063/T66; EPDM; mill finish / black

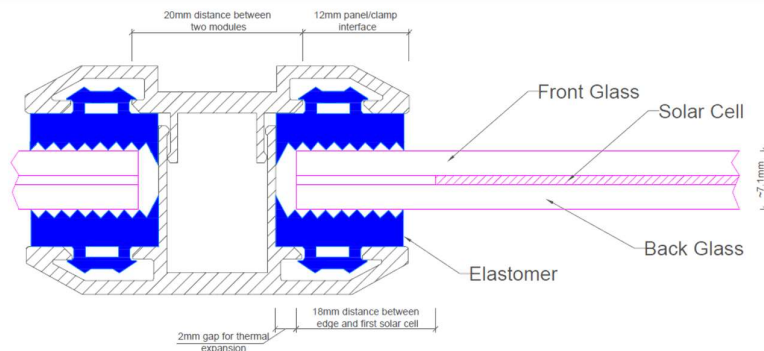


Figure 2. Recommended clamp dimensions for the SoliTek PV Glass-Glass modules

6.3 SOLID Bifacial B.60 and SOLID AGRO B.40 mounting

6.3.1 Transversal rails

- 1600 Pa wind load / 1600 Pa snow load
- 2400 Pa wind load / 3600 Pa snow load

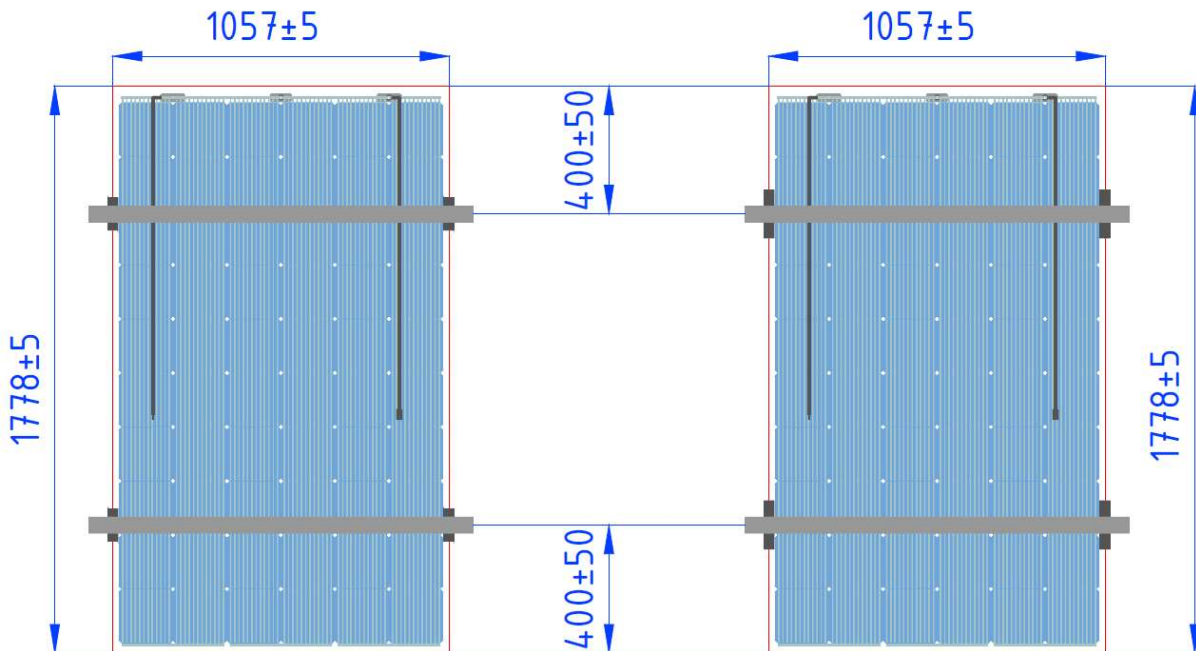


Figure 3. SOLID Bifacial B.60 and SOLID AGRO B.40 mounting with four fixing points and transversal rails.

Using four fixing points with clamps on 60 cell regular size modules allows to achieve 2400 Pa of wind loadings and 3600 Pa of snow loads if 150 mm (5,91 inch) clamps are used. If 100 mm (3,94 inch) clamps are used 1600 Pa of wind and snow loads can be achieved. Using four fixing points with 100 mm length clamps in portrait configuration is not recommended due to risk of panels sliding out of clamp gaskets. It is normal that at loadings higher than 1600 Pa panels will touch the transversal rails. Please make sure that the rail surface is smooth, because even the smallest sharp edge can cause fast

mechanical failure. If the rail surface is not smooth, sharp edges occur, it is recommended to use rail gaskets to even the touching surface.

• **3600 Pa wind load / 7000 Pa snow load**

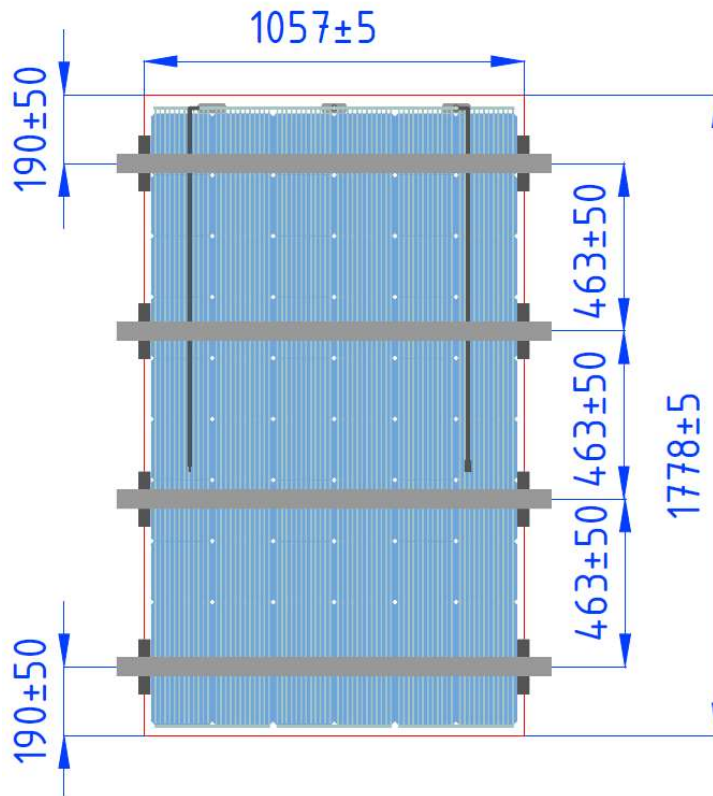


Figure 4. SOLID Bifacial B.60 and AGRO B.40 mounting with eight fixing points and transversal rails.

Using eight 150 mm (5,91 inch) clamps allow for the panel to achieve 7000 Pa of snow loads and 3600 Pa of wind loads.

It is normal that at loadings higher than 1600 Pa panels will touch the transversal rails. Please make sure that the rail surface is smooth, because even the smallest sharp edge can cause fast mechanical failure. If the rail surface is not smooth, sharp edges occur, it is recommended to use rail gaskets to even the touching surface.

6.4 BLACKSTAR B.108 and BLACKSTAR (SOLID Framed) B.60(40) mounting

When choosing this type of clamp-mounting method, use at least four clamps on each module, two clamps should be attached on each side of the module. Modules clamps should not come into contact with the front glass and must not deform the frame. Be sure to avoid shadowing effects on the solar cells from the module clamps. The module frame is not to be modified under any circumstances. Do not to block the drain hole of the frame. The length of clamp should be at least 30 mm (1,18 inch). The clamp must overlap the module frame by at least 5 mm (0,2 inch), but no more than 10mm (0,4 inch).

6.4.1 BLACKSTAR B.108 mounting with clamps

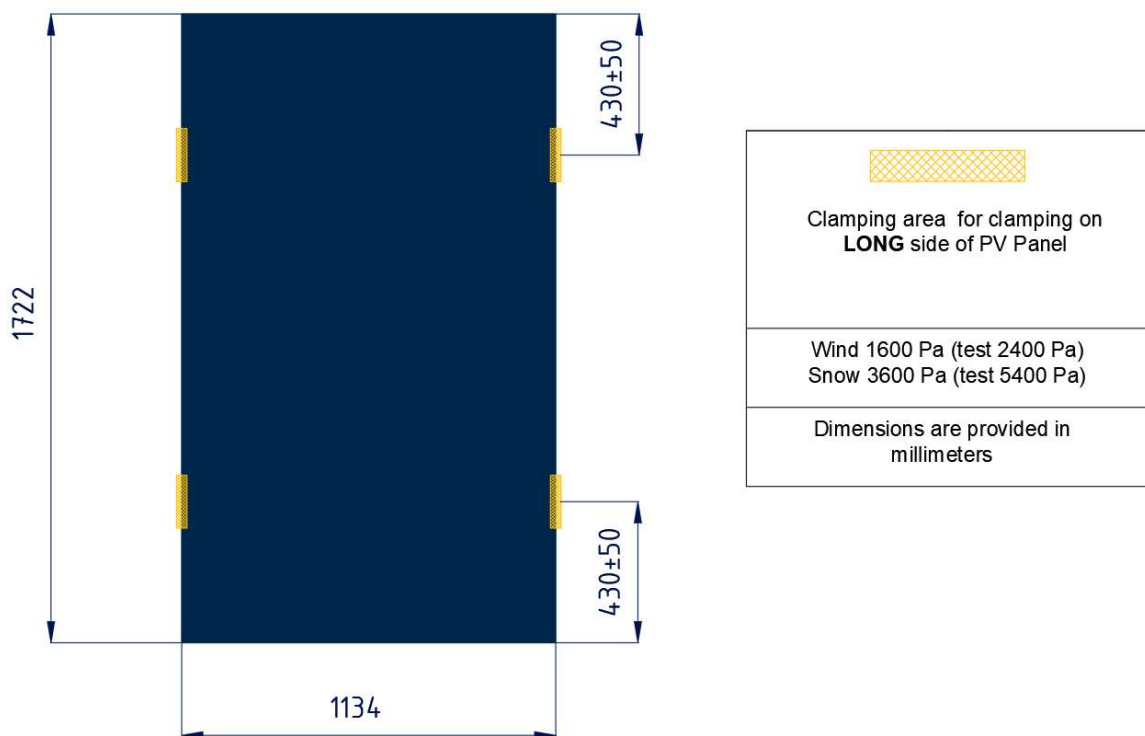


Figure 5. Blackstar B.108 mounting with clamps, using four fixing points on module's long sides

Clamping on the long side of module frame with four fixing points allows for the panel to withstand 3600 Pa (5400 Pa test) of snow load and 1600 Pa (2400 Pa test) of wind loads.

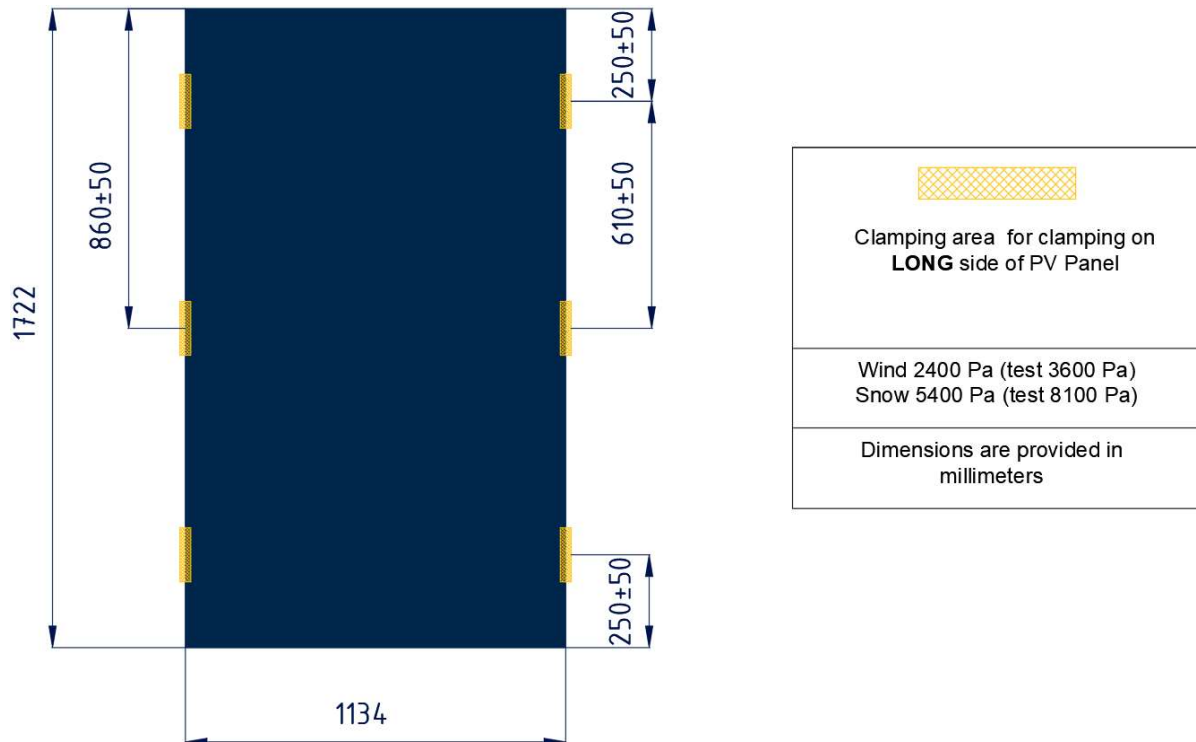


Figure 6 Blackstar B.108 mounting with clamps, using six fixing points on module's long sides

Clamping on the long side of module frame with six fixing points allows for the panel to withstand 5400 Pa (8100 Pa test) of snow load and 2400 Pa (3600 Pa test) of wind loads.

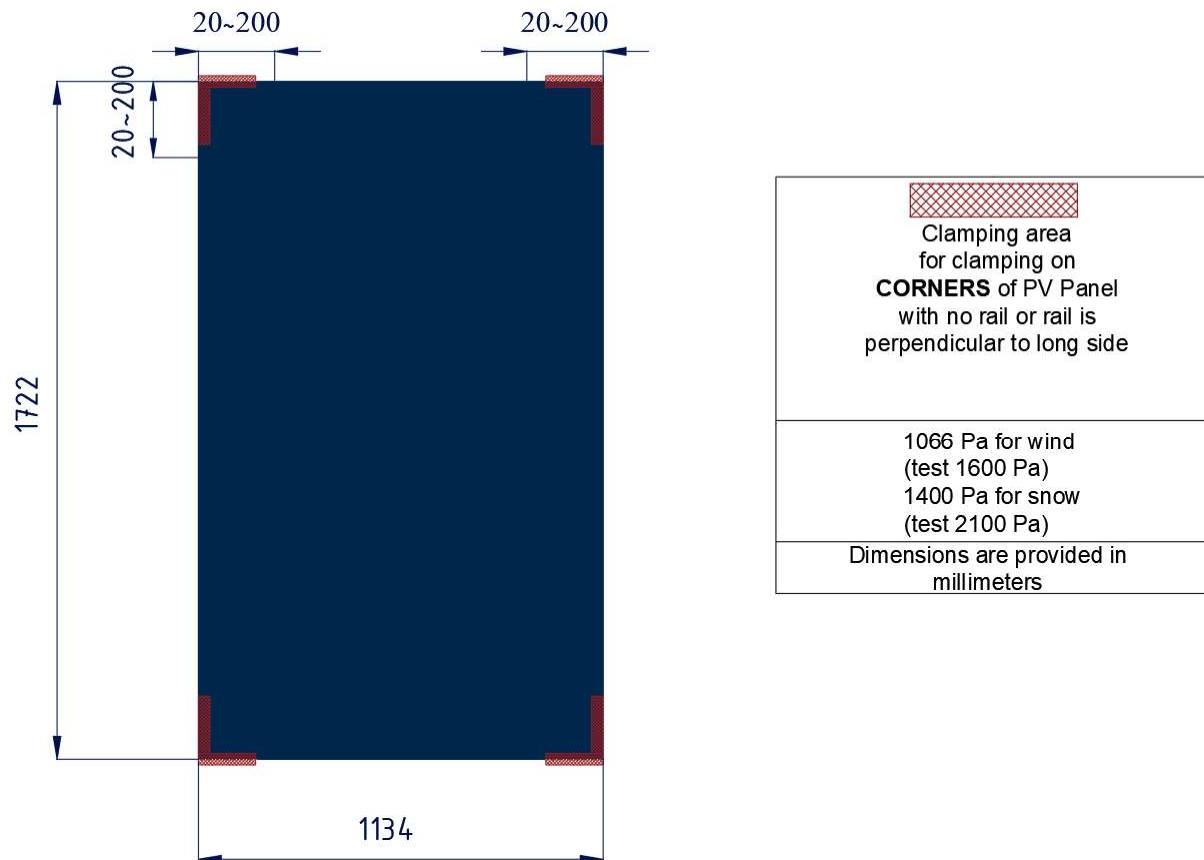


Figure 7. Blackstar B.108 mounting with clamps, using four fixing points on module's corners

Clamping on the corners of module frame (either on short or long side) with four fixing points allows for the panel to withstand 1400 Pa (2100 Pa test) of snow load and 1066 Pa (1400 Pa test) of wind loads.

6.4.2 BLACKSTAR (SOLID Framed) B.60(40) mounting with clamps

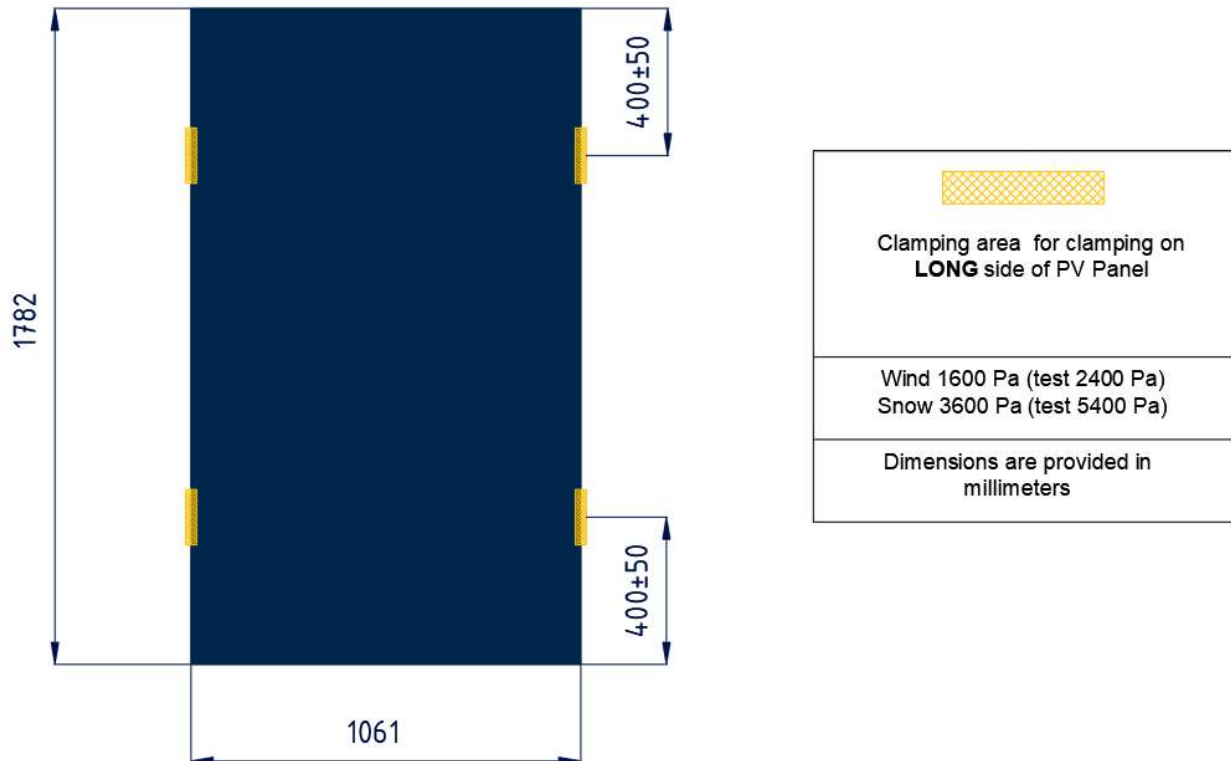


Figure 8. Blackstar B.60(40) mounting with clamps, using four fixing points on module's long sides

Clamping on the long side of module frame with four fixing points allows for the panel to withstand 3600 Pa (5400 Pa test) of snow load and 1600 Pa (2400 Pa test) of wind loads.

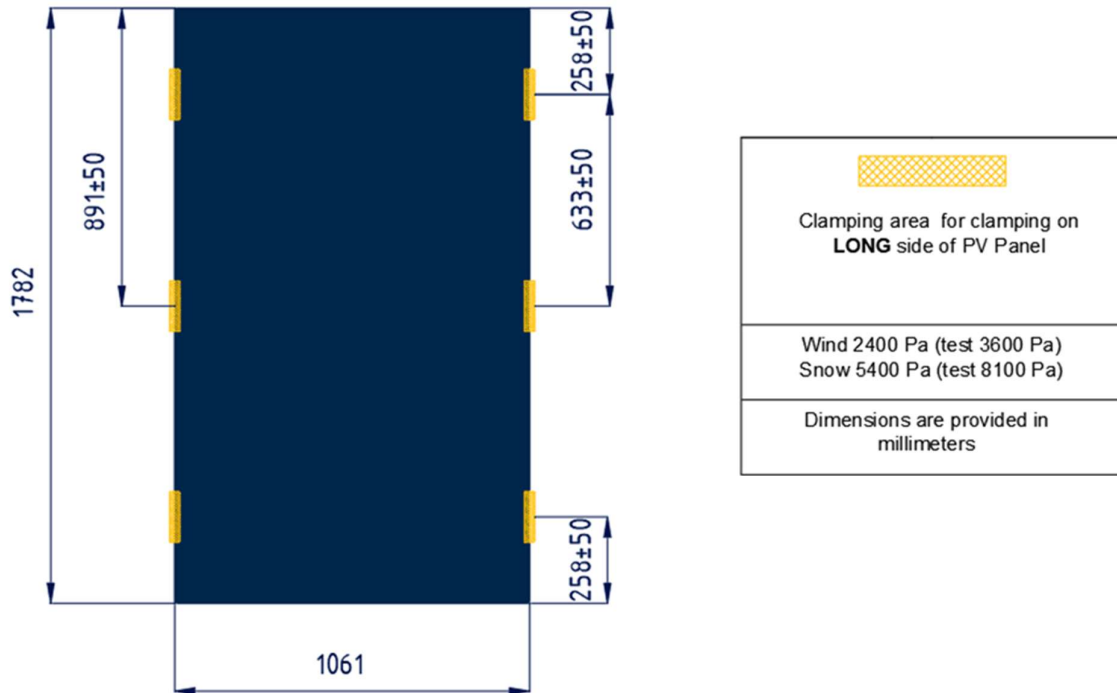


Figure 9. BLACKSTAR B.60(40) mounting with six fixing points on module's long sides

Clamping on the long side of module frame with six fixing points allows for the panel to withstand 5400 Pa (8100 Pa test) of snow load and 2400 Pa (3600 Pa test) of wind loads.

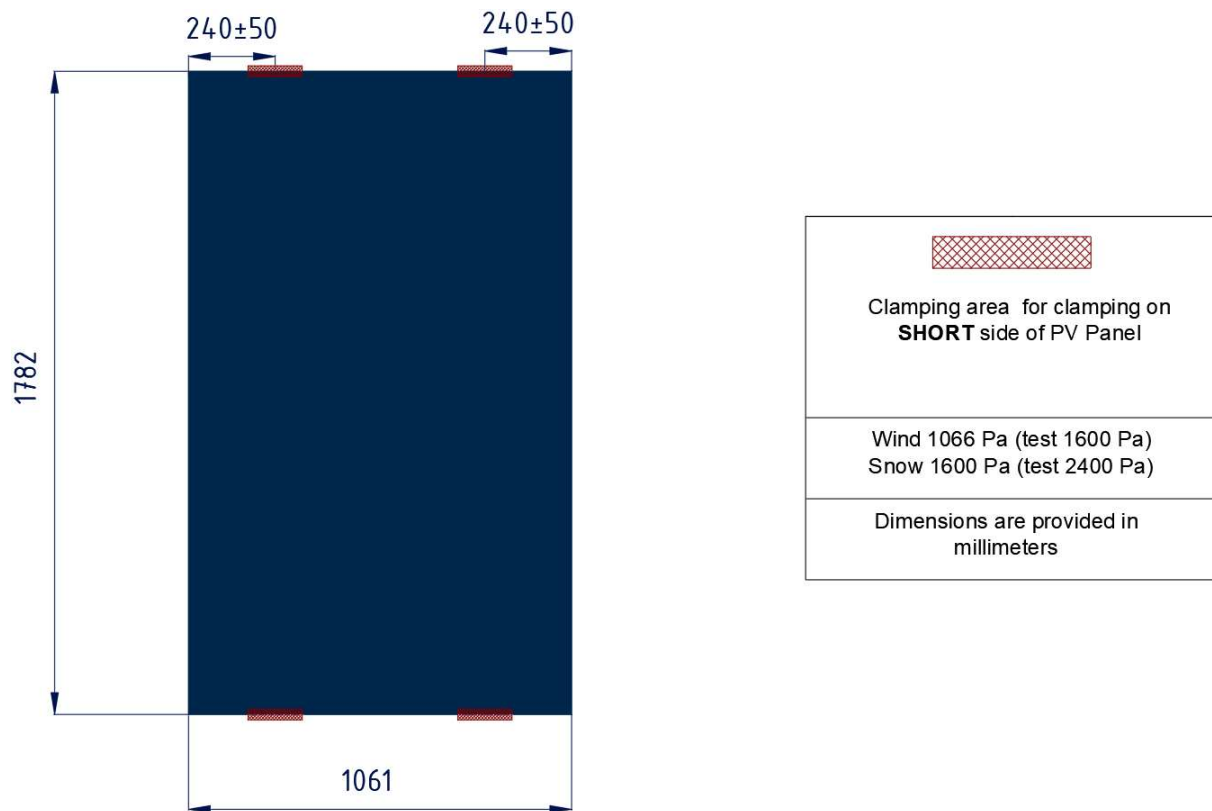


Figure 10. BLACKSTAR B.60(40) mounting with four fixing points on module's short sides

Clamping on the short side of module frame with four fixing points allows for the panel to withstand 1600 Pa (2400 Pa test) of snow load and 1066 Pa (1600 Pa test) of wind loads.

6.4.3 Mounting with bolts

The module must be attached and supported by four M8 stainless steel bolts through the indicated mounting holes (Figure 12 and figure 13) on the transversal bars. Torque on the clamp bolt has to be in range of 8÷10 Nm (5,9÷7,38 ft-lb). Transversal bars positioning is shown in Figure 11.

If additional mounting points are required depending on the local wind and snow loads, then mounting solution with clamping hardware has to be chosen.

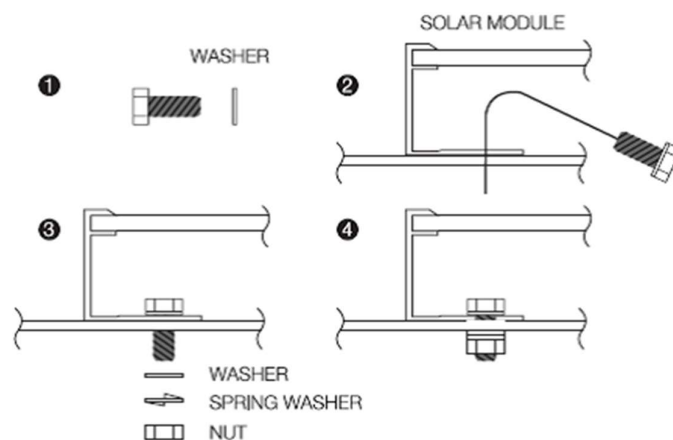


Figure 11. Mounting using bolts on the transversal bars.

Mounting with bolts can be done only through dedicated predrilled holes in the frame. Drilling new holes is forbidden and will void the warranty.

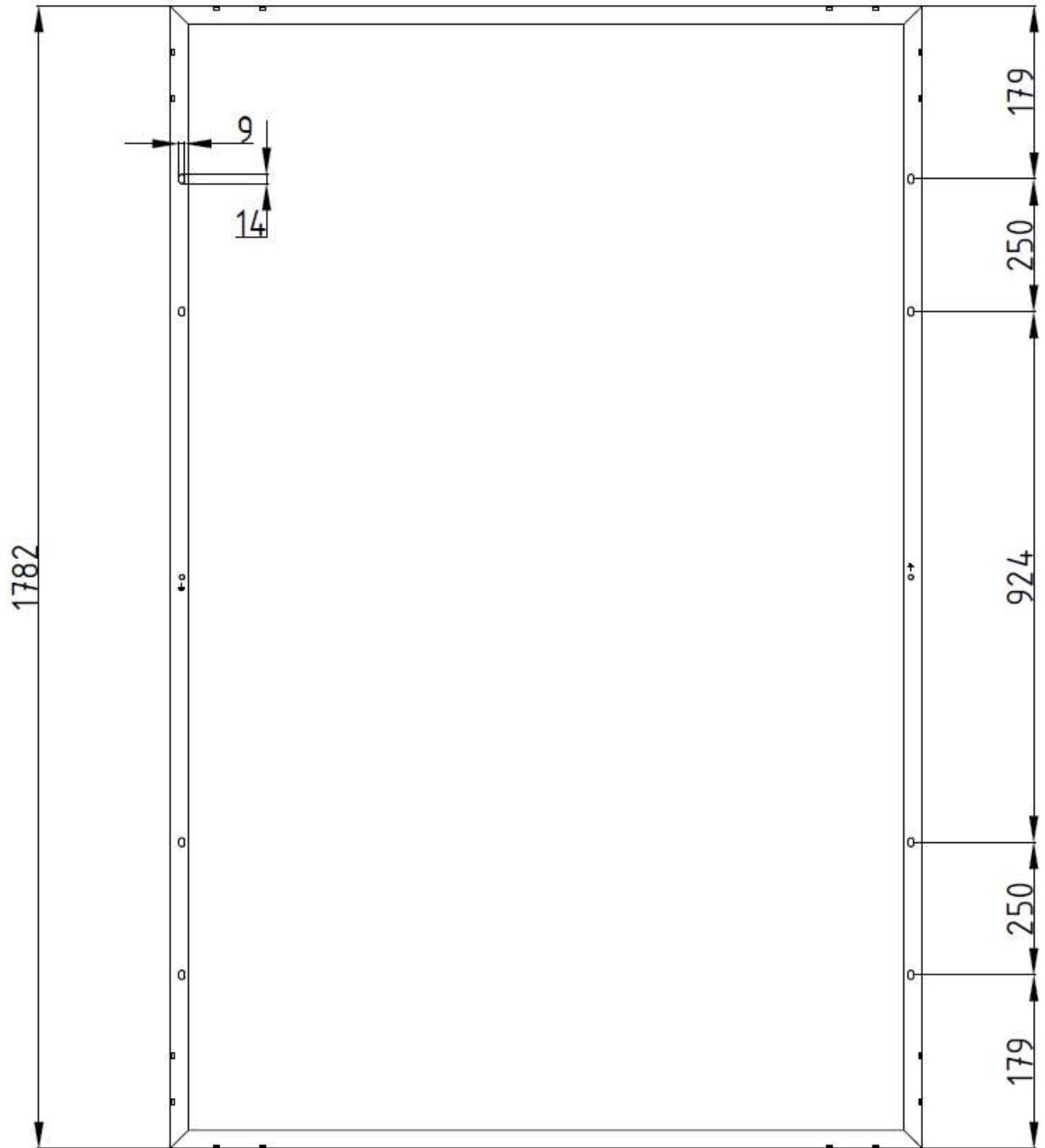


Figure 12. Position of mounting holes of Blackstar B.60(40) module in millimeters

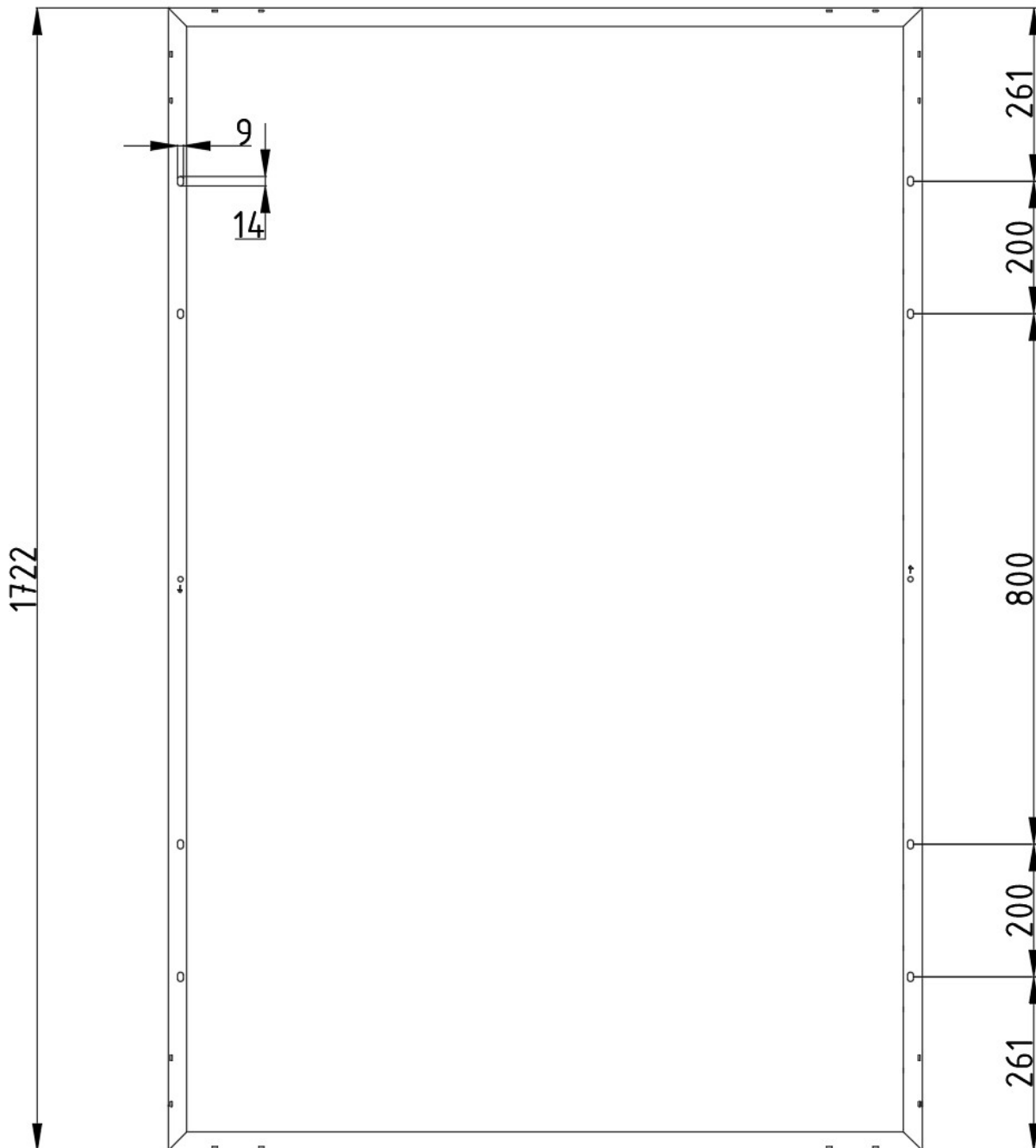


Figure 13. Position of mounting holes of Blackstar B.108 module in millimeters

6.5 Position of the junction box

For the distance between junction box and edge of the module or other dimensions of junction box position and areas please refer to Figures 14 (for SOLID series module), 15 and 16 (for Blackstar series module), respectively.

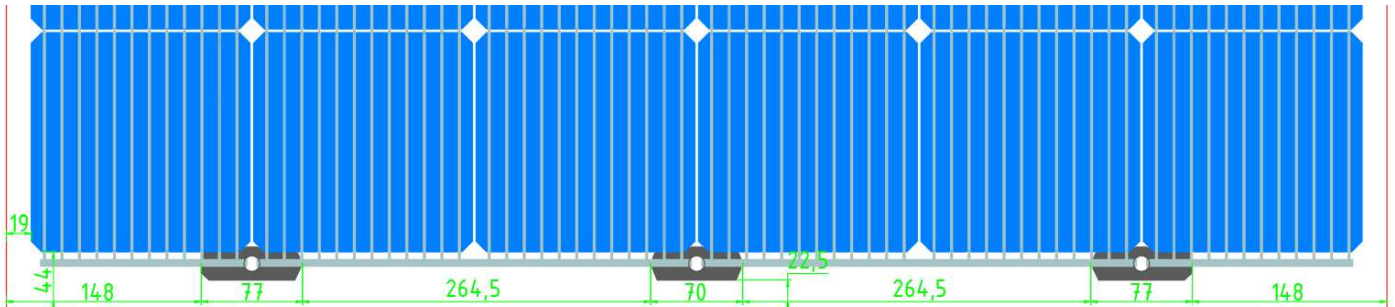


Figure 14. Position of the junction box in SOLID Series module

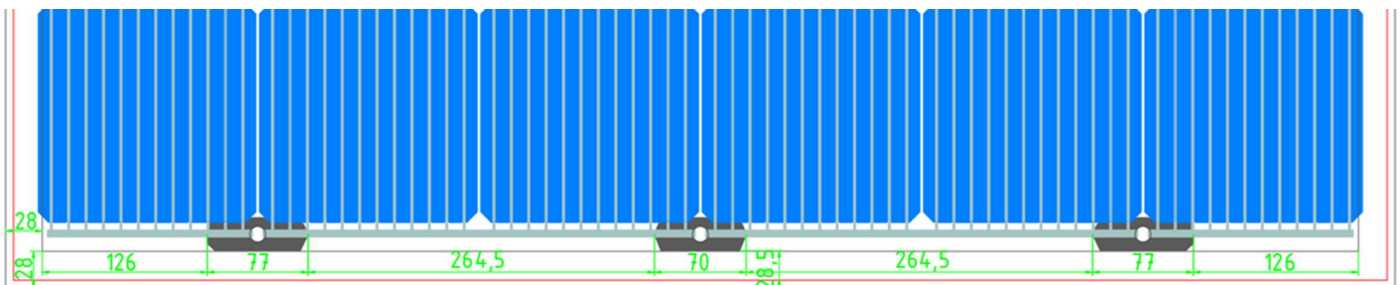


Figure 15. Position of the junction box in Blackstar B.60(40) (SOLID Framed) Series module

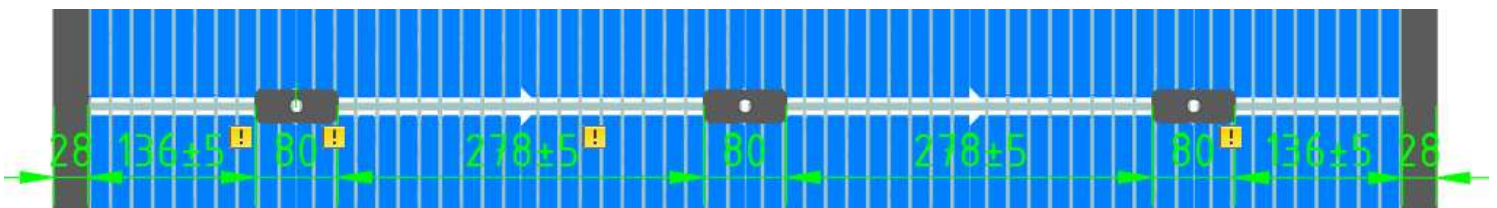


Figure 16. Position of the junction box in Blackstar B.108 Series module

7 Maintenance

In order to ensure optimum module performance, SoliTek recommends the following: If necessary, the glass front of the module can be cleaned with water and a soft sponge or cloth. A mild, non-abrasive detergent can be used to remove more stubborn stains. Check the electrical and mechanical connections periodically and make sure they are clean, safe, complete and secure. In the event of a problem, consult with a licensed/qualified person.

8 Specifications

Table 2. SOLID Bifacial B.60, BLACKSTAR (SOLID Framed) B.60 parameters table.

Parameter \ Model	SOLID Bifacial B.60	BLACKSTAR (SOLID Framed) B.60	SOLID AGRO B.40	BLACKSTAR (SOLID Framed) B.108
Test conditions	STC	STC	STC	STC
Nominal power	370 W	370 W	245 W	420 W
Electrical Data @STC				
Maximum Power (Pmax), W	370	370	245	420
Voltage at Maximum Power (Vmpp), V	34,86	34,86	23,07	32,15
Current at Maximum Power (Impp), A	10,62	10,62	10,62	13,06
Open Circuit Voltage (Voc), V	40,50	40,50	27,03	37,68
Short Circuit Current (Isc), A	11,18	11,18	11,18	13,50
Thermal Data				
Operating Temperature Range	-40°C ÷ 85°C (-40°F ÷ 185°F)	-40°C ÷ 85°C (-40°F ÷ 185°F)	-40°C ÷ 85°C (-40°F ÷ 185°F)	-40°C ÷ 85°C (-40°F ÷ 185°F)
Temperature Coefficient of Pmax	-0,362%/°C (°F)	-0,362%/°C (°F)	-0,362%/°C (°F)	-0,30%/°C (°F)
Temperature Coefficient of Voc	-0,265%/°C (°F)	-0,265%/°C (°F)	-0,265%/°C (°F)	-0,25%/°C (°F)
Temperature Coefficient of Isc	+0,036%/°C (°F)	+0,036%/°C (°F)	+0,036%/°C (°F)	+0,045%/°C (°F)
Size & weight data				
Length	1778±5 mm (70±0,2 inch)	1782 mm (70,16 inch)	1778±5 mm (70±0,2 inch)	1722 mm (67,79 inch)
Width	1057±5 (41,61±0,2 inch)	1061 (41,77 inch)	1057±5 (41,61±0,2 inch)	1134 (44,64 inch)
Thickness	7,1 mm (0,28 inch)	35 mm (1,38 inch)	7,1 mm (0,28 inch)	30 mm (1,18 inch)
Weight	30 kg (66,14 lb.)	24 kg (52,91 lb.)	30 kg (66,14 lb.)	25 kg (55,11 lb.)
Mounting method				
Reference to chapter	6.3	6.4	6.3	6.4
Other				
Maximum reverse current, A	20			
Fire class, IEC 61730/UL 61730	A/Type II			
Maximum system voltage, V	1000			

The electrical characteristics are within of the indicated values of $I_{SC} (\phi I_{sc}) \pm 3\%$, $V_{OC} (\phi V_{oc}) \pm 3,5\%$ and $P_{MPP} (\phi P_{max}) \pm 5\%$, under Standard Test Conditions (STC) (irradiance of 1000 W/m², AM 1.5 spectrum, and a cell temperature of 25°C / 77°F) and Bifacial Standard Test Conditions (BSTC for BLACKSTAR: 1075 W/m², AM 1.5, and 25°C/77°F cell temperature; BSTC for SOLID Bifacial: 1097 W/m², AM 1.5, and 25°C/77°F cell temperature)).

All SoliTek SOLID PV panels correspond to electrical safety class II.

9 Disclaimer of liability

Since it is impossible for SoliTek to control installation, operation, application and maintenance of the photovoltaic system according to this instruction. SoliTek does not accept responsibility and expressly disclaims liability for any loss, damage or expense arising out of or in any way connected with such installation, operation, use or maintenance.

SoliTek will not take any responsibilities for any possible violation of patent rights and third party rights that are related to application of the solar energy system. No permission of patents is given through implication.

The information of this instruction is from knowledge and experiences of SoliTek. However, the instructions and suggestions of this instruction do not make an external or internal of guarantee. SoliTek reserves the right to revise this instruction, products and all the information about products without prior notification to customers.
