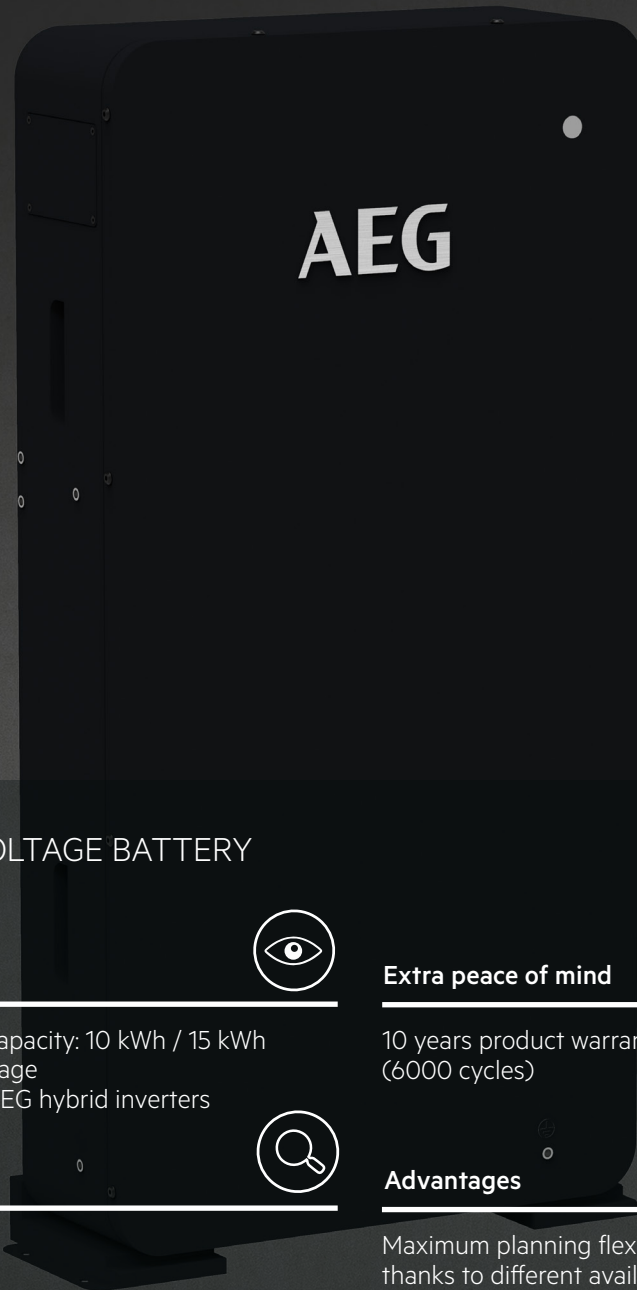


AEG

AEG HIGH VOLTAGE BATTERY



AS-BBH1/HV / HIGH VOLTAGE BATTERY

Characteristics



High voltage battery, nominal capacity: 10 kWh / 15 kWh
Modular system for energy storage
Designed for connection with AEG hybrid inverters

Product Name Code (PNC)



AS-BBH1-10000/15000/HV

Extra peace of mind



10 years product warranty
(6000 cycles)

Advantages



Maximum planning flexibility
thanks to different available capacities and modularity
(parallel connection capability up to 4 batteries)

AS-BBH1/HV / HIGH VOLTAGE BATTERY

PRODUCT SERIES	
AEG HIGH VOLTAGE BATTERY	

ELECTRICAL CHARACTERISTICS			
Model: AS-BBH1-xxx/HV		10000	15000
Battery type	Lithium LFP		
Nominal capacity	[kWh]	10	15
Usable capacity	[kWh]	9	13.5
Nominal voltage	[V]	268.8	384
Voltage range (usable)	[V]	235.2-294	336-420
Charge voltage	[V]	294	420
Discharge cut-off voltage	[V]	235.2	360
Charge / Discharge current (nominal)	[A]	20/20	20/20
Charge / Discharge current (max)	[A]	40/40	40/40
Depth of Discharge (DOD)	[%]	90	90

OPERATING CONDITIONS		
Operating temperature	[°C]	-10 to 50
Operating temperature (recommended)	[°C]	15 to 30
Storage temperature	[°C]	-30 to 60
Humidity conditions	[%]	5 to 95
Altitude	[m]	max. 2000
Cooling method	Natural convection	

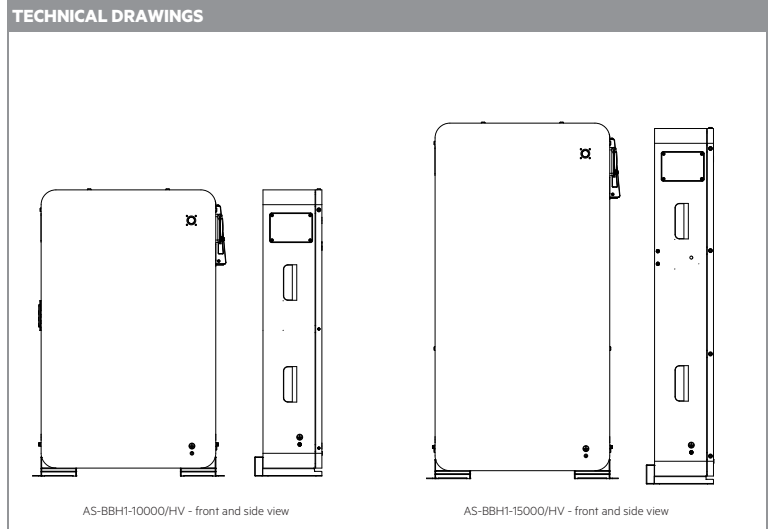


PRODUCT NAMECODE (PNC)	
AS-BBH1-10000/HV, AS-BBH1-15000/HV	

PHYSICAL CHARACTERISTICS			
Model: AS-BBH1-xxx/HV		10000	15000
Height	[mm]	971	1205
Width	[mm]	654	654
Depth	[mm]	227	227
Weight	[kg]	105	143
Installation	floor-stand		
Case	carbon or white color		

WARRANTY ¹	
Product and performance	10-year standard warranty or 6000 cycles (whichever comes first)

RELIABILITY AND CERTIFICATION	
Certification	Cell: UL1642 Battery module: IEC 62619 & UL1973
Hazardous materials classification	Class 9
Transportation	UN 38.3
Ingress protection rating	IP54
System configuration	1 to 4 parallel



NOTES
1- For the full Warranty Terms please visit www.aeg-industrialsolar.de
Dimensions in the technical picture are expressed in mm with tolerance ± 2 mm (± 0.079 ")
© Solar Solutions Group. Version 2022.09.V1EN Specifications in this datasheet are subject to change without notice.
AEG is a registered trademark used under license from AB Electrolux (publ).