



# RSS Transmitter with Pure Signal technology

## Rapid Shutdown Activator

The Tigo Rapid Shutdown System (RSS) Transmitter is a part of Module Level rapid shutdown solution when paired with Tigo Module Level Power Electronics (MLPE). The RSS Transmitter can link multiple RSS transmitters together, this enables Tigo's Pure Signal Technology, providing one coordinated keep-alive signal to the array.

### Features

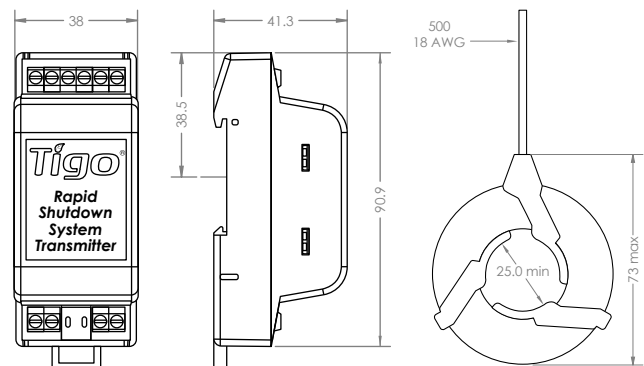
- PLC Communication
- Scalable from residential to large utility projects
- Patented Pure Signal Technology for multiple transmitters
- Configurable with one or two RSS Cores
- Bi-colored core ensures accurate signal directionality

### Benefits

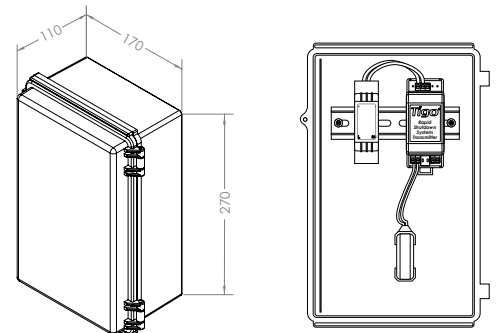
- Meets NEC 690.12 2014, 2017, and 2020 requirements
- Automatic or manual shutdown
- Reduce balance of system cost
- Easy and fast to install
- Compatible with majority of the inverters in the market

### Dimensions

Dimensions (W x D x H)	38 x 41.3 x 90.9 mm (1.5 x 1.63 x 3.58in)
------------------------	--



Outdoor Enclosure (optional)	
Dimensions (W x D x H)	170 x 110 x 270 mm (6.69 x 4.33 x 10.63in)



## Input

Transmitter Input Voltage	12V <sub>DC</sub> (+/- 2%)
Transmitter Input Current	1A
Power consumption (Max/Average)	5.5W/0.85W

## RSS Core

Max Current	150A per RSS Core (Single Core: 150A, Dual Core: 300A)
Max String Voltage	1500V <sub>DC</sub>
Max Number of Strings per Core	10
Max Supported PV Modules per String	30

## Environmental

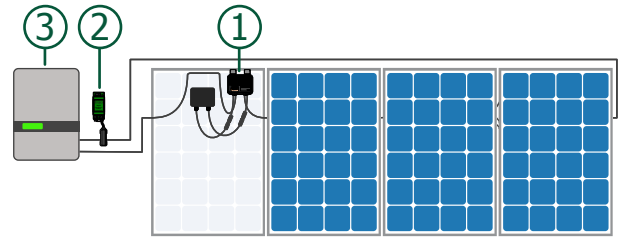
Operating Temperature Range	-40°C to +85°C (-40°F to +185°F)
Outdoor Enclosure Temperature Range (optional)	-20°C to +50°C (-4°F to +122°F)
Enclosure Rating (optional)	IP68, NEMA 4

## Ordering Options

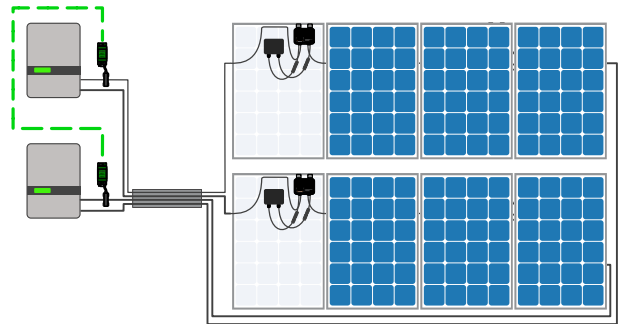
Item #	Description
490-00000-51	Single Core (150A) RSS Din Rail Transmitter (no PS or enclosure)
490-00000-52	Dual Core (300A) RSS Din Rail Transmitter (no PS or enclosure)
492-00000-51	Single Core RSS Din Rail Transmitter, 120/240VAC PS, Outdoor Enclosure kit
492-00000-52	Dual Core RSS Din Rail Transmitter Kit, 120/240VAC PS, Outdoor Enclosure kit
493-00000-52	Commercial Dual Core RSS Din Rail Transmitter, 480/277VAC PS (no enclosure)

## System Components:

1. Modules equipped with Tigo MLPE
2. Tigo RSS Transmitter and RSS Core
3. Inverter



Typical Multi-Inverter Application



## Additional resources



Photovoltaic Rapid Shutdown System Equipment, QIJW

**Tigo**<sup>®</sup>

tigoenergy.com

PN: 002-00096-00 | Rev. 2022.6.28